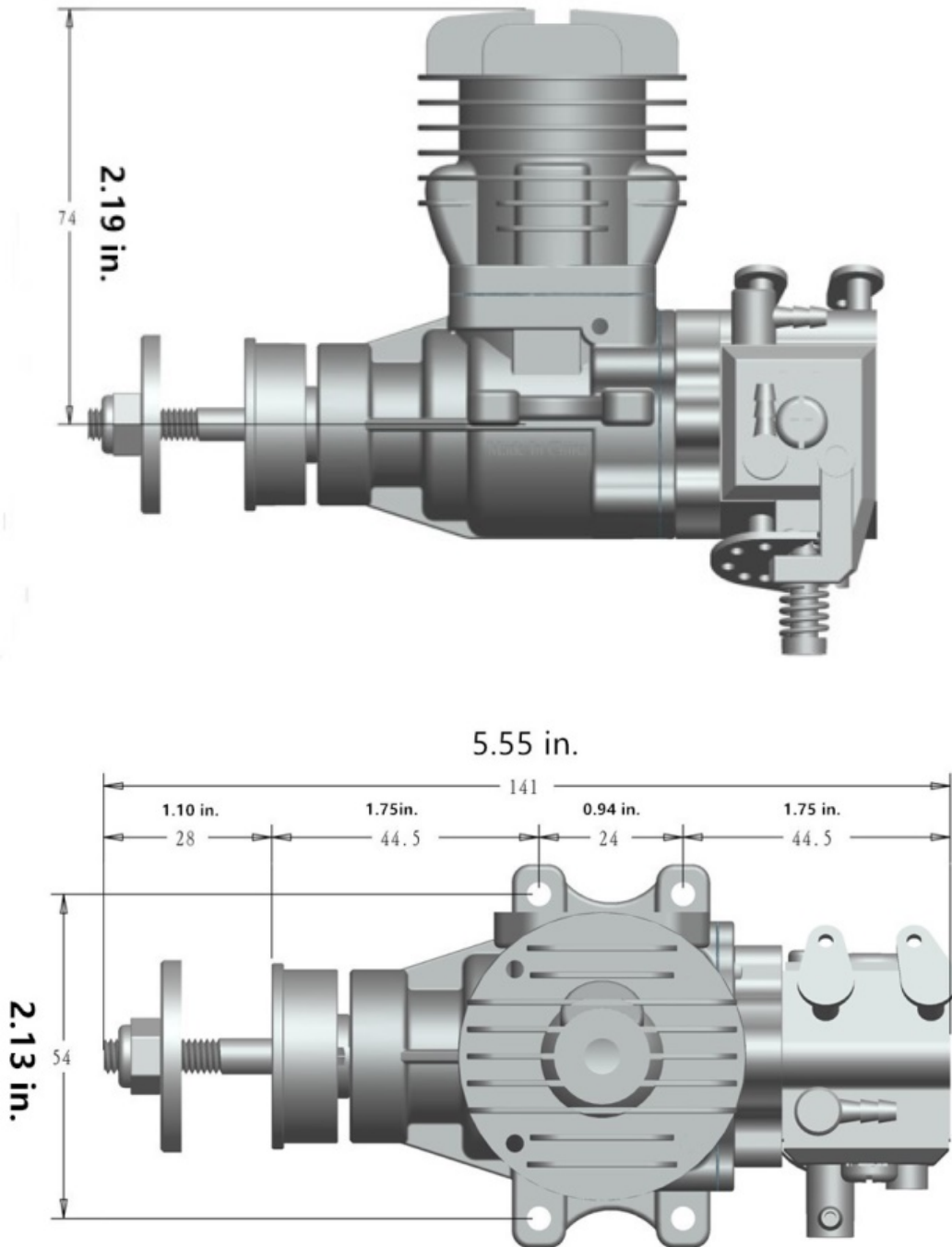
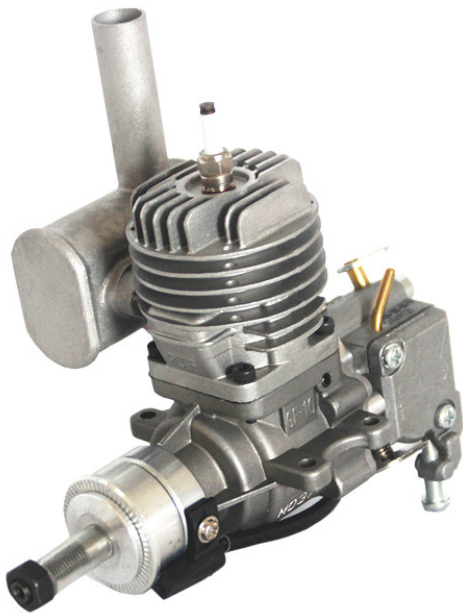


10CC carburetor update instructions

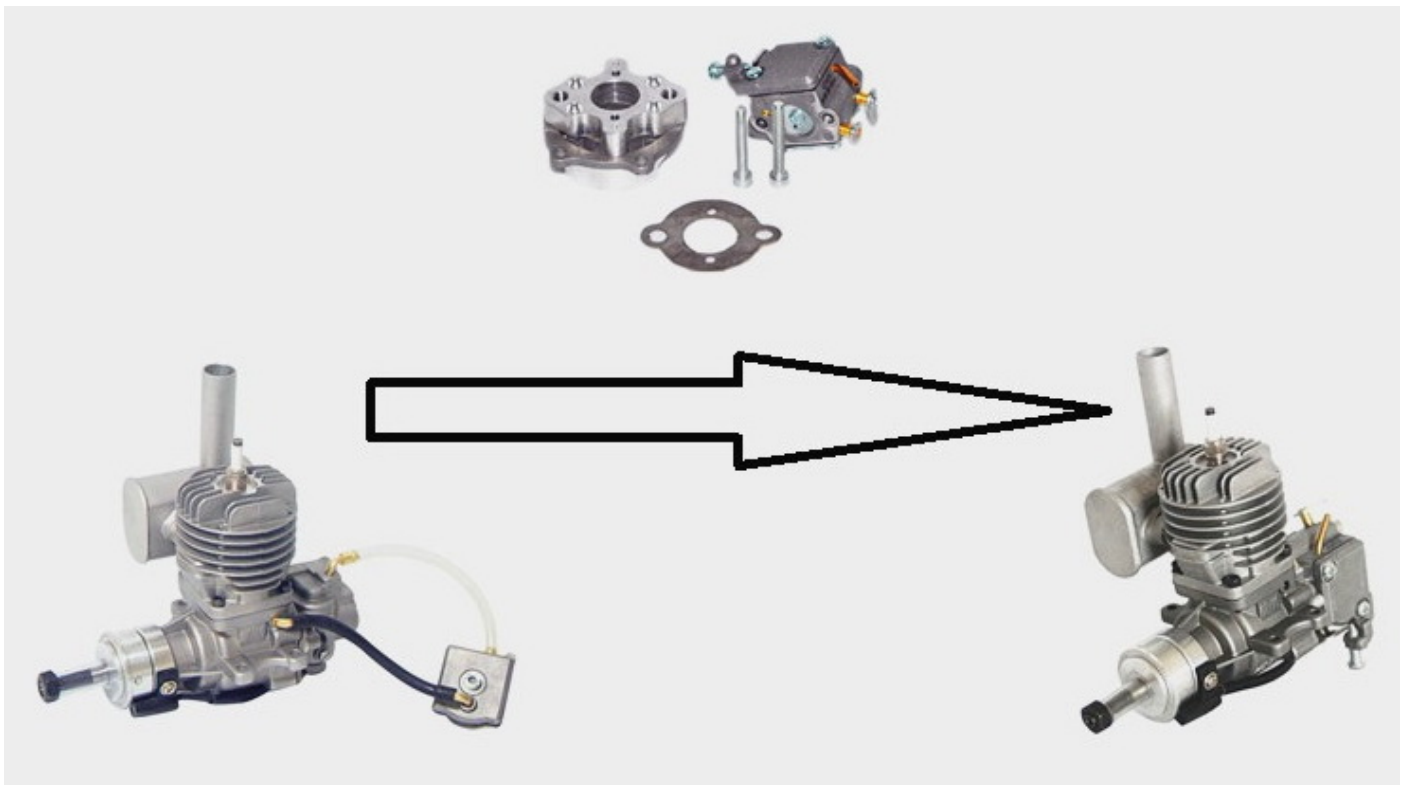
Some customers prefer the Walbro style carburetor for our 10cc engine, so that we decide to offer customer more choices for 10cc carburetors.



The 10cc engine with Walbro style carburetor. (It's with same spare parts as the 10cc with pump carb except the carb and reed valve& insulator) .

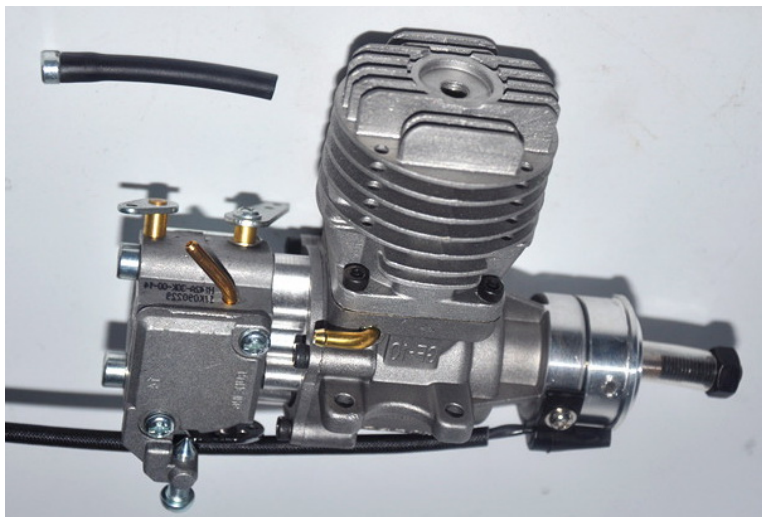


Use the carb update kits to update your 10cc engine



1.First Update Method

First disassemble the pump and carb in your 10cc engine . And assemble the carb update kits on your 10cc engine, make sure there is no air leak. (The Walbro style carburetor can be roated 180 degree based on our position.)



Then replace the fuel pipe and use the screw to seal the pipe. We strongly recommend customer to update in this way. For in this way customer can choose to use the Walbro style carb or the pump carb in his 10cc engine.



2.Second Update Method

This is the factory update way, we don't recommend consumer to convert in this way themselves. If consumer choose to update in this way , please contact the local authorized distributor or RCGF local service center for detail information. We will not be responsible

for the engine problem which cause by customer update the engine in this method themselves .

